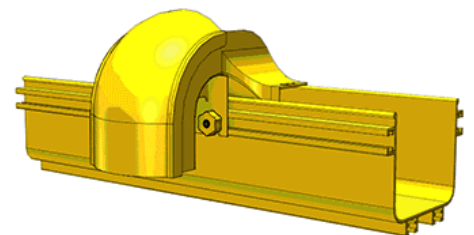
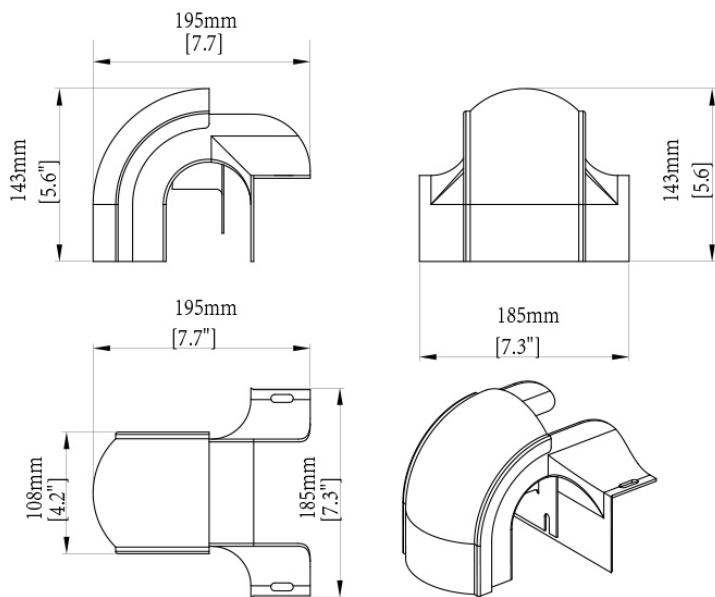
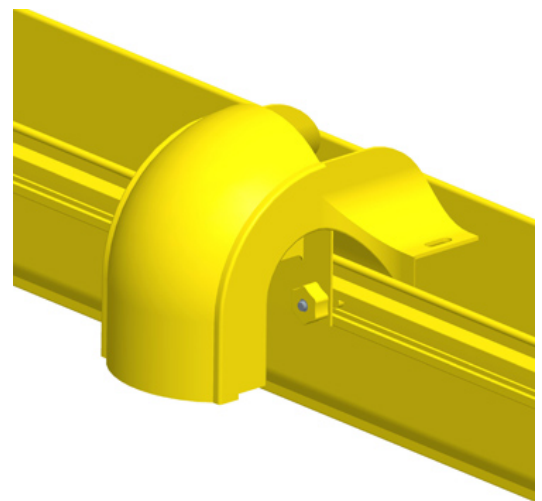
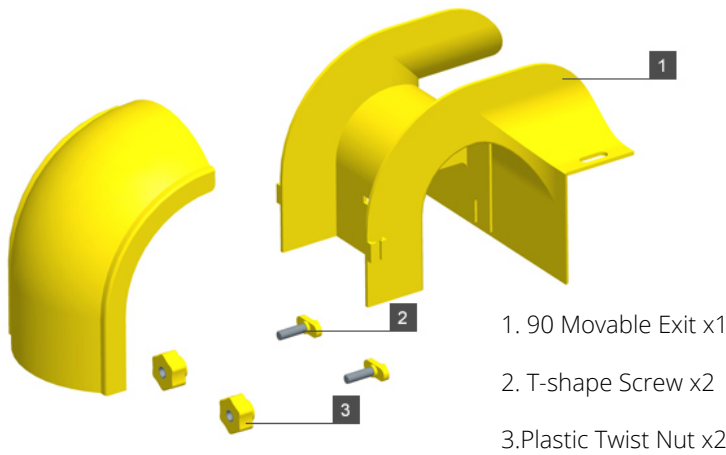


Giganet 90 Movable Exit with out corrugated pipe Kit Assembles onto 4"x5",4"x10",4"x15" channel, spilling over the side into a 90mm movable exit without corrugated pipe

FEATURES
Network Reliability
Reduction in installation time and cost
Enable future expansion
Flame retardant material rated GB/T2048-2008 FV-0
RoHS and ABS compliant
Ideal solution for optical raceway requirement and application



PRODUCT INFORMATION

Part Number	Product Description
GN-100-90-ME	Giganet 90 Movable Exit without corrugated pipe Kit