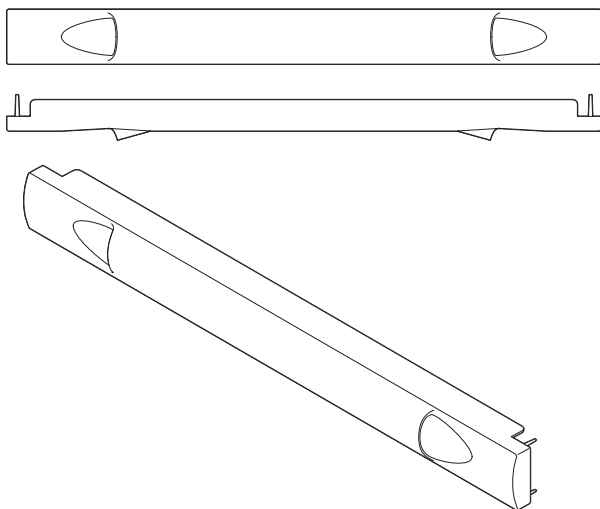


Giganet blanking panel is designed to effectively seal openings in IT equipment cabinets and control airflow for optimized cooling effectiveness. The Giganet Blanking Panel reduces hotspots and bypass airflow by preventing equipment exhaust air or hot aisle air from migrating to the conditioned air intake stream at the front of the cabinet.

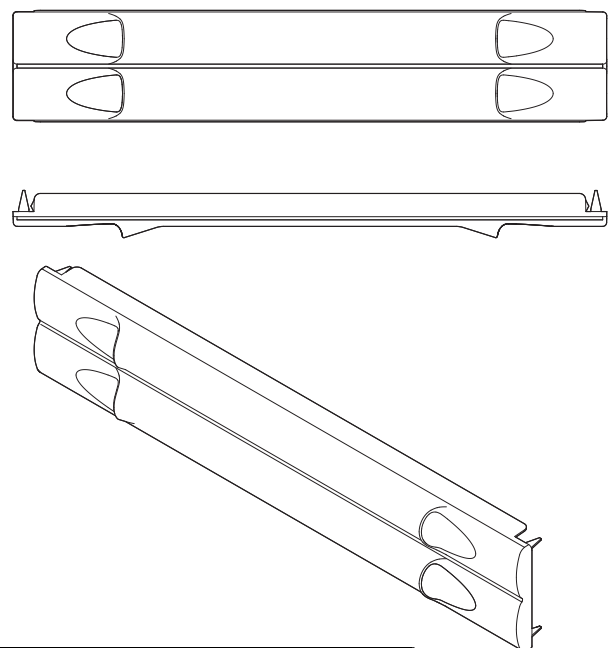
FEATURES	
Allows lower temperature air to be delivered to the upper one-third of the cabinet, typically the hottest area and most prone to equipment failure	
Use in a Hot and Cold Aisle configuration for low or high-density cabinets	
Controls airflow that could lead to saved energy by allowing adjustment of cooling unit set points	
Use in existing cabinets for optimization and standardization	
1U and 2U versions available for EIA-310-E compliant cabinets	



### 1U Blanking Panel



### 2U Blanking Panel



PRODUCT INFORMATION	
Part Number	Product Description
GN-BP-01U	Giganet 1 Unit Blanking Panel, 1.75 X 19 inch (Plastic)
GN-BP-02U	Giganet 2 Unit Blanking Panel, 3.5 x 19 inch (Plastic)