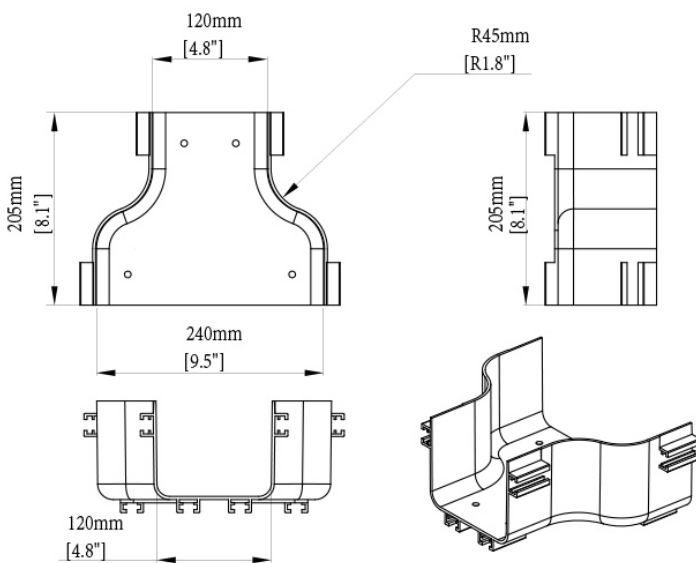
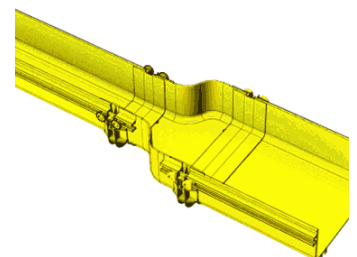
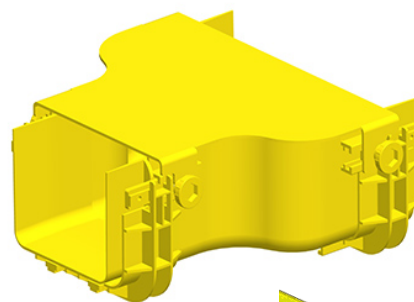
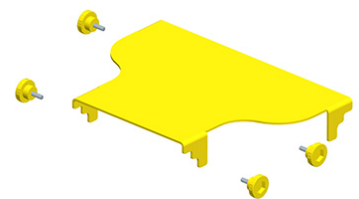
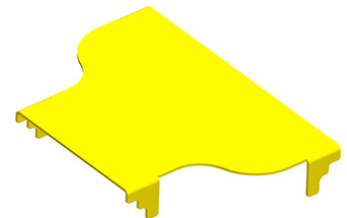
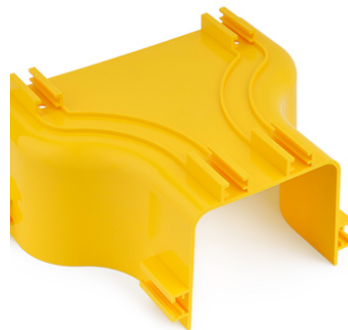


Giganet 240mm to 120mm Reducer attaches any 4"x10" fitting or channel to any 4"x5" fitting or channel.

**FEATURES**

- Network Reliability
- Reduction in installation time and cost
- Enable future expansion
- Flame retardant material rated GB/T2048-2008 FV-0
- RoHS and ABS compliant
- Ideal solution for optical raceway requirement and application



**PRODUCT INFORMATION**

Part Number	Product Description
GN-100-240-120-R	Giganet 240mm to 120mm Reducer
GN-100-240-120-R-CV	Giganet 240mm to 120mm Reducer Cover